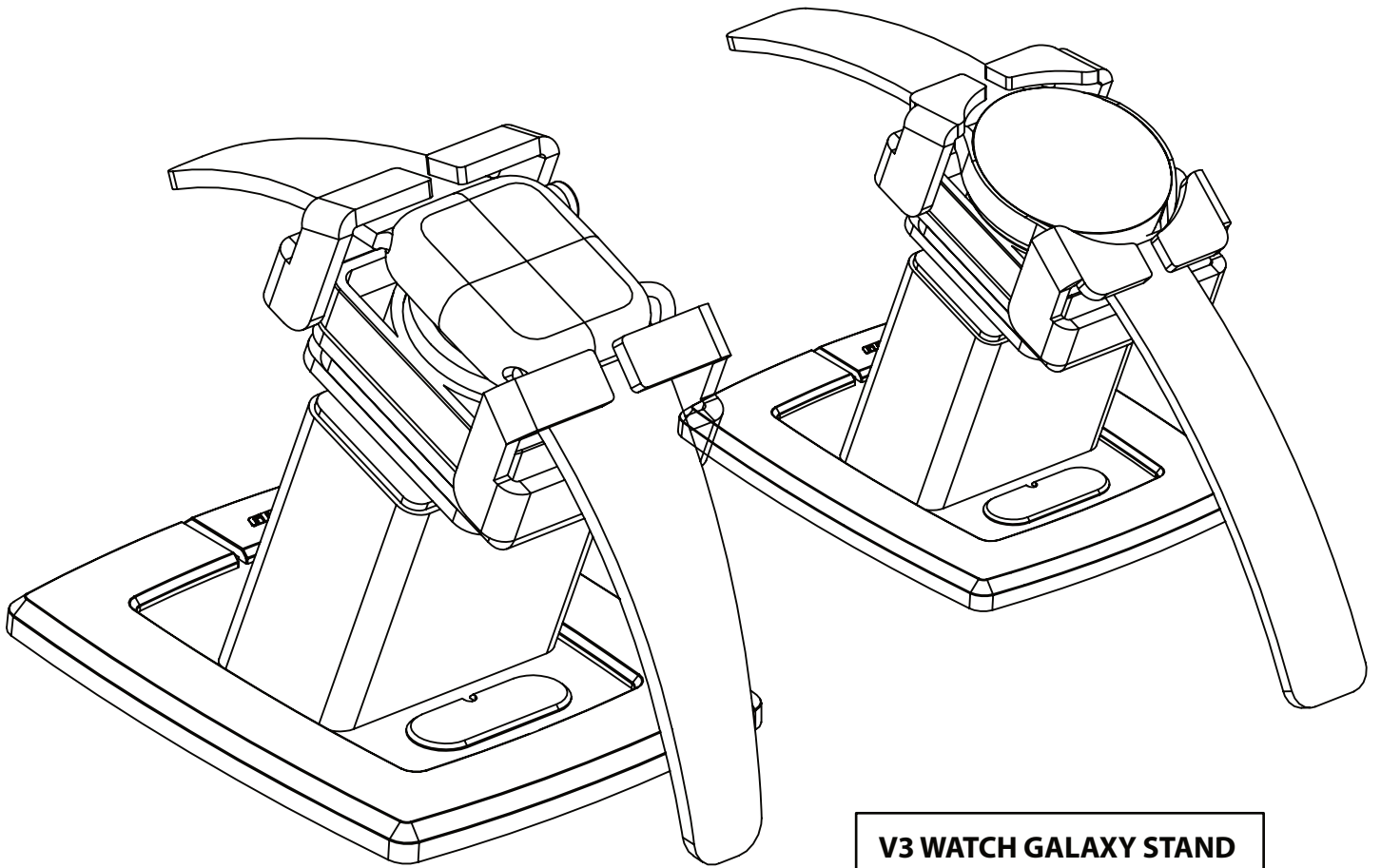


Gripzo V3 Smartwatch



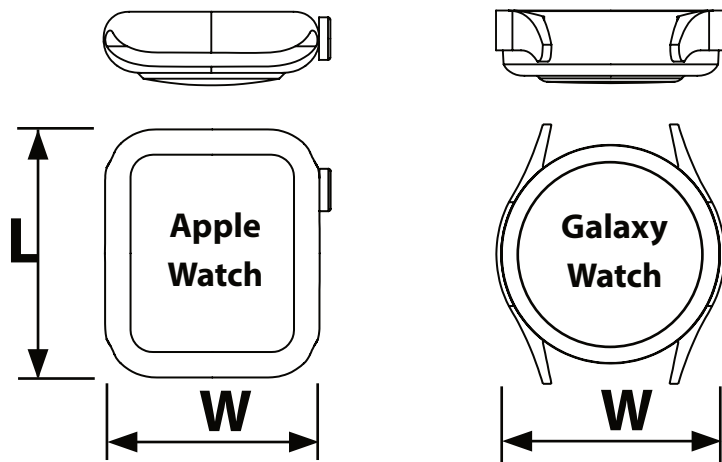
**V3 WATCH APPLE STAND
FULLY ASSEMBLED**

300 000 003 310

**V3 WATCH GALAXY STAND
FULLY ASSEMBLED**

300 000 003 320

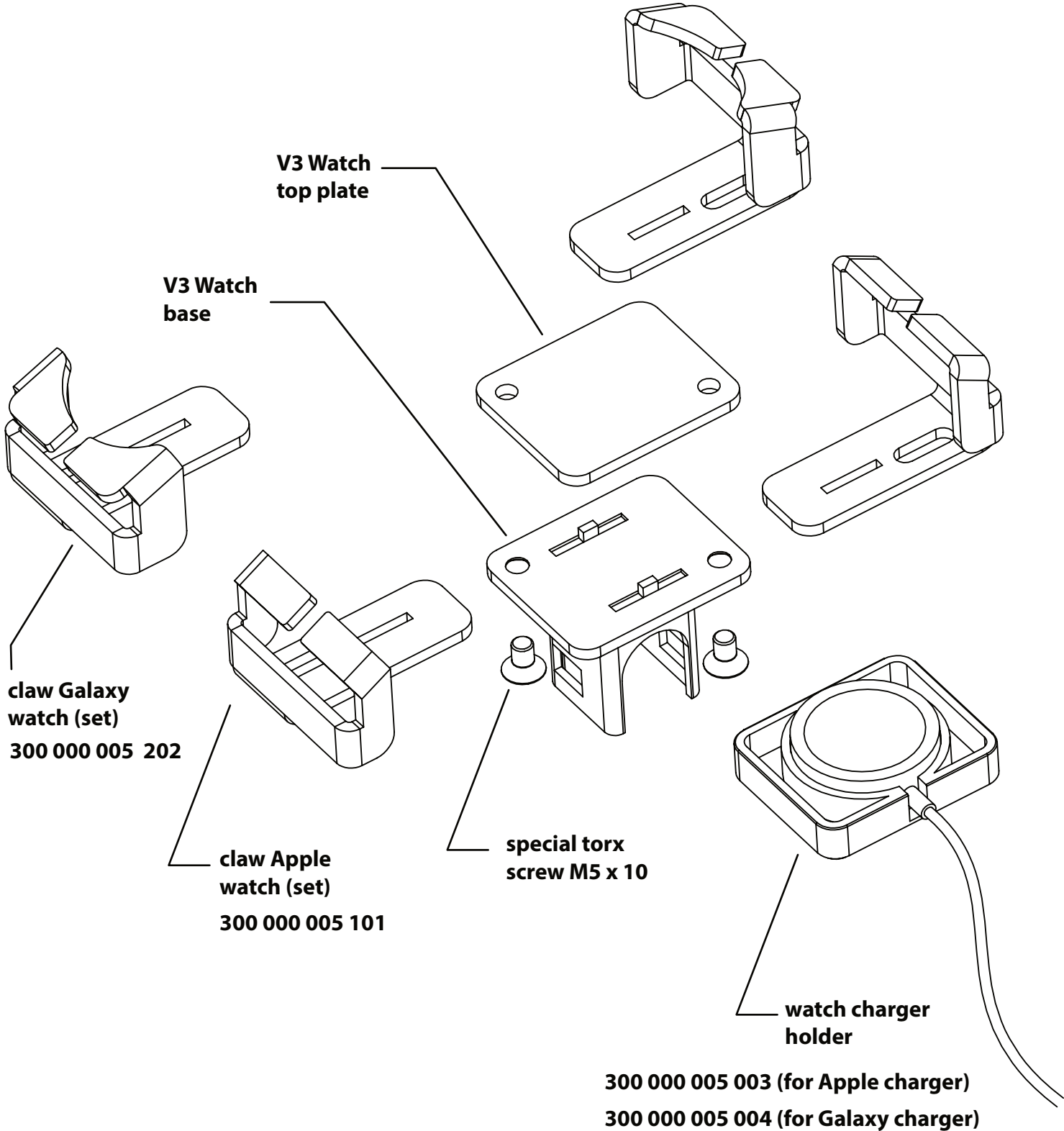
Watches and dimensions



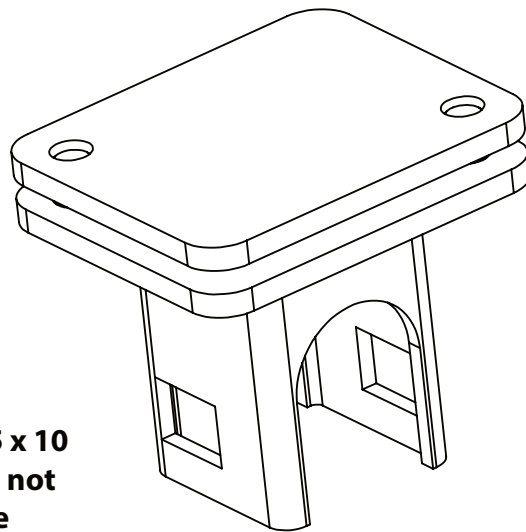
Watch claw type	L x W (mm)
Apple Watch Small	40 x 34
Apple Watch Large	44 x 38
Apple Watch Ultra	49 x 44
Galaxy Watch Medium	∅ 40 / 42
Galaxy Watch Large	∅ 43 / 44
Galaxy Watch X Large	∅ 46 / 47

The Gripzo charger holder is suitable for Apple and Galaxy watch chargers. If a charger does not fit in the V3 charger holder, Gripzo can manufacture a charger holder using 3D print process.

Parts of the Gripzo V3 Watch top assembly



Assemble the V3 Smartwatch

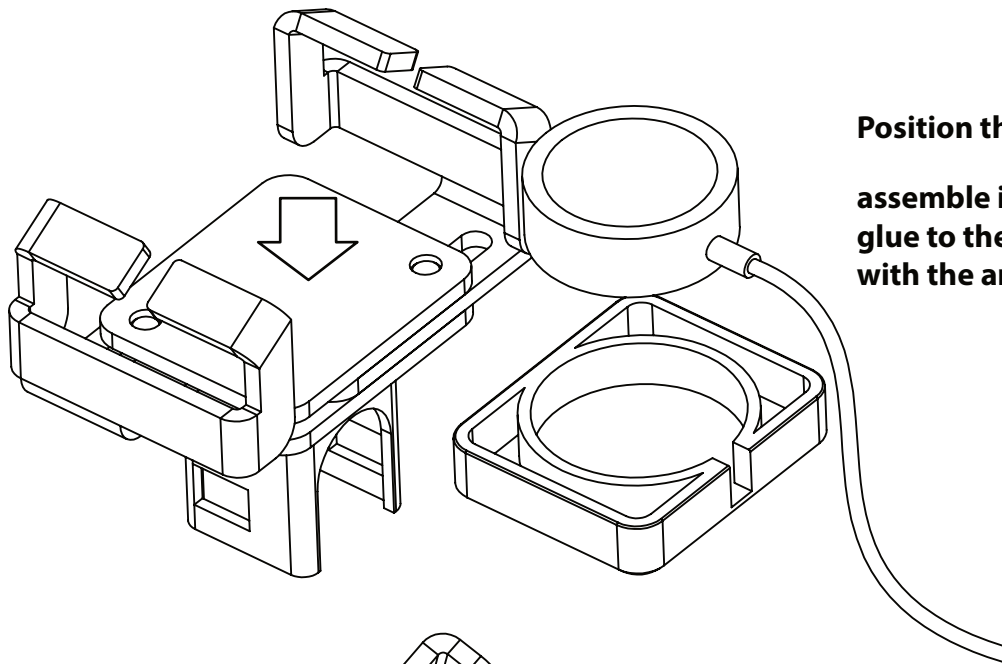


V3 WATCH TOP

300 000 005 000

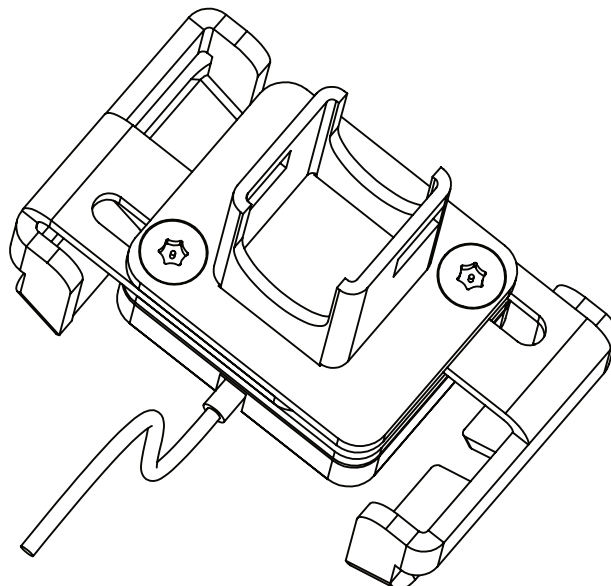
Assemble the parts together

Use the special torx screws M5 x 10 to keep the parts together. Do not fasten them yet. First place the watch into position.



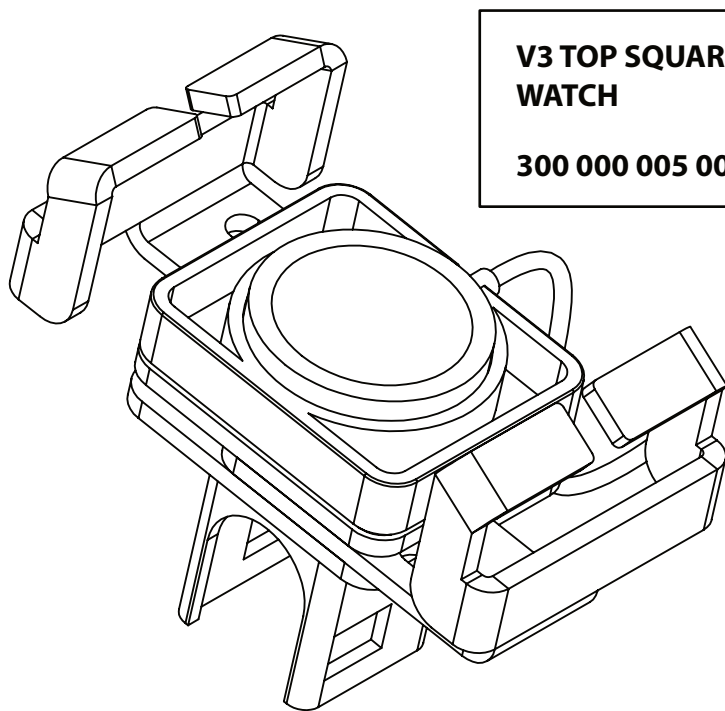
Position the charger holder

assemble it with 2 sided tape or glue to the top surface indicated with the arrow



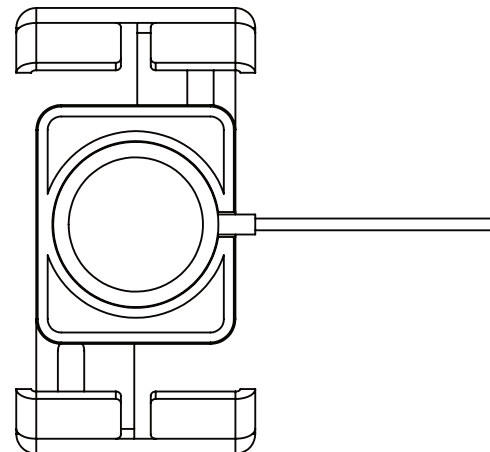
Assemble the V3 Smartwatch

Assembly for Apple watch

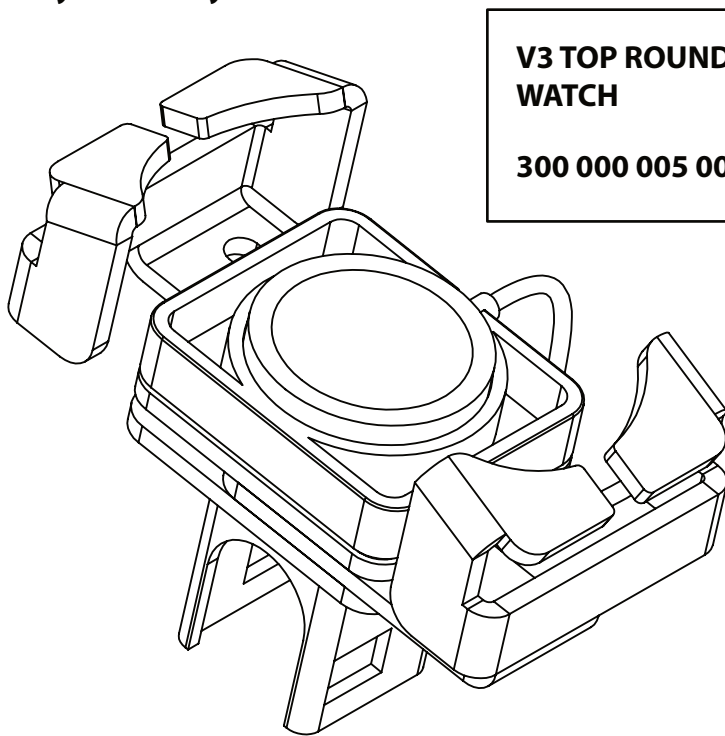


**V3 TOP SQUARE
WATCH**

300 000 005 001

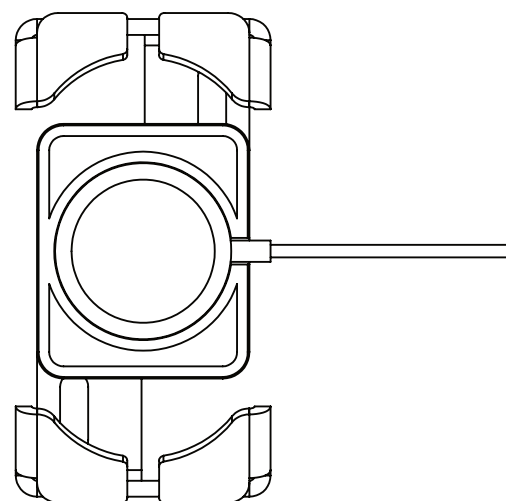


Assembly for Galaxy watch

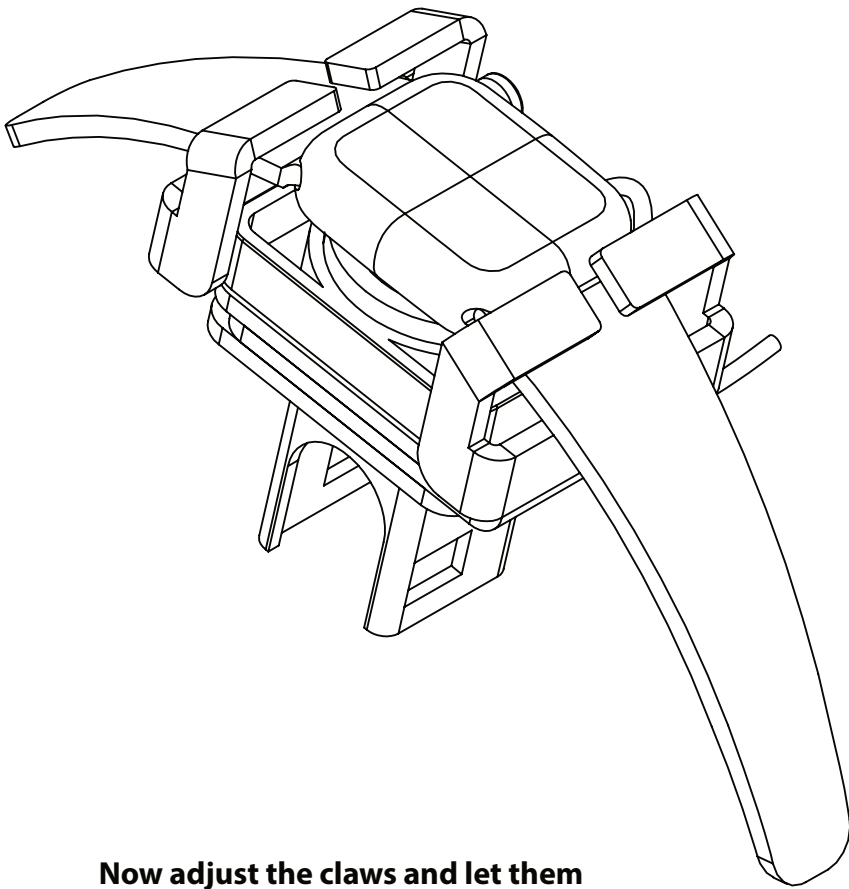


**V3 TOP ROUND
WATCH**

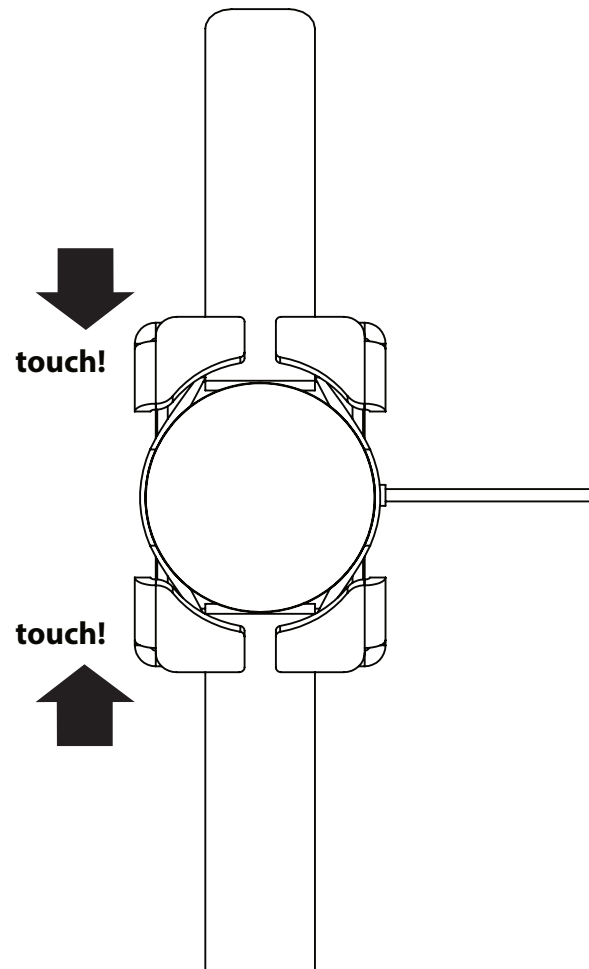
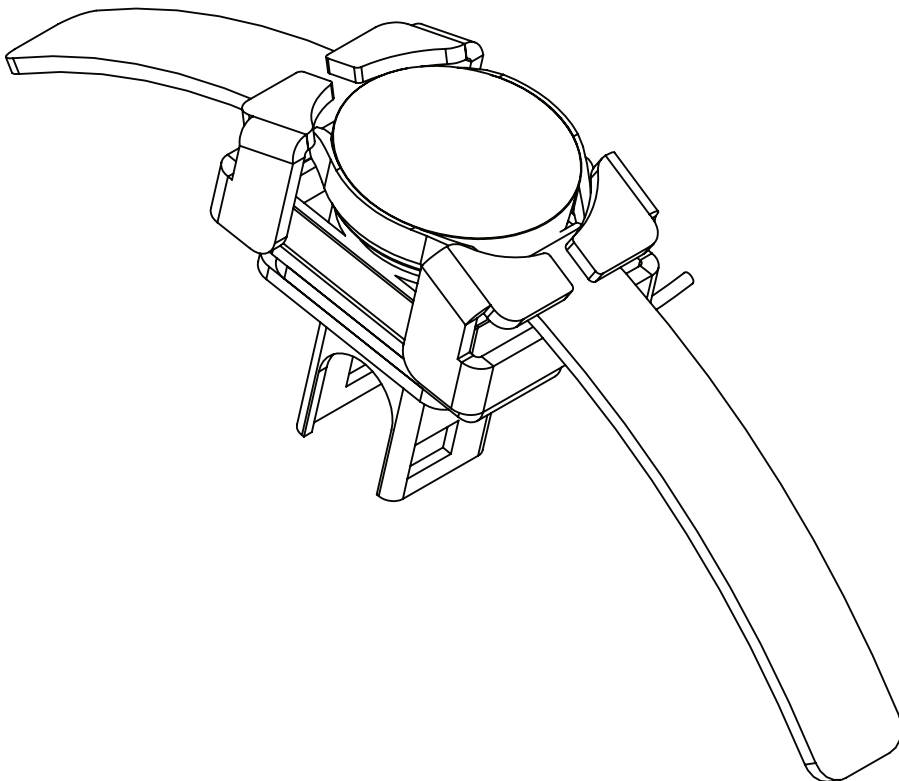
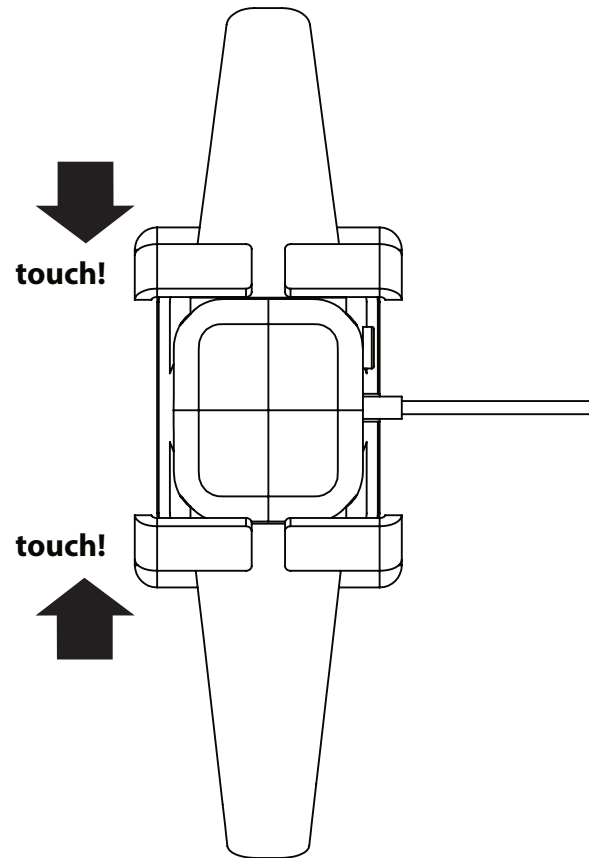
300 000 005 002



Insert the Watch

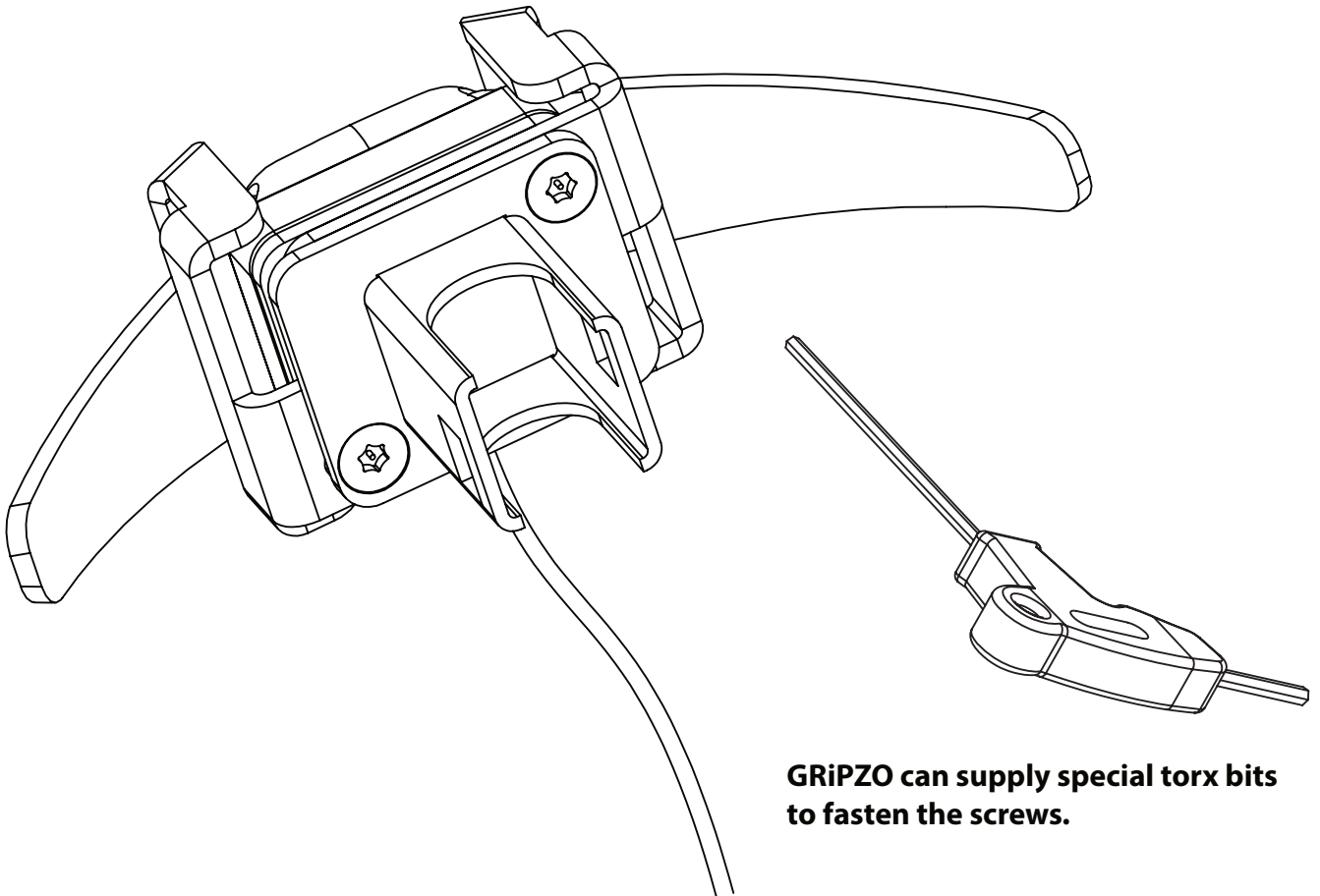


Now adjust the claws and let them touch the edges of the watch. The watch cannot move.



Insert the Watch

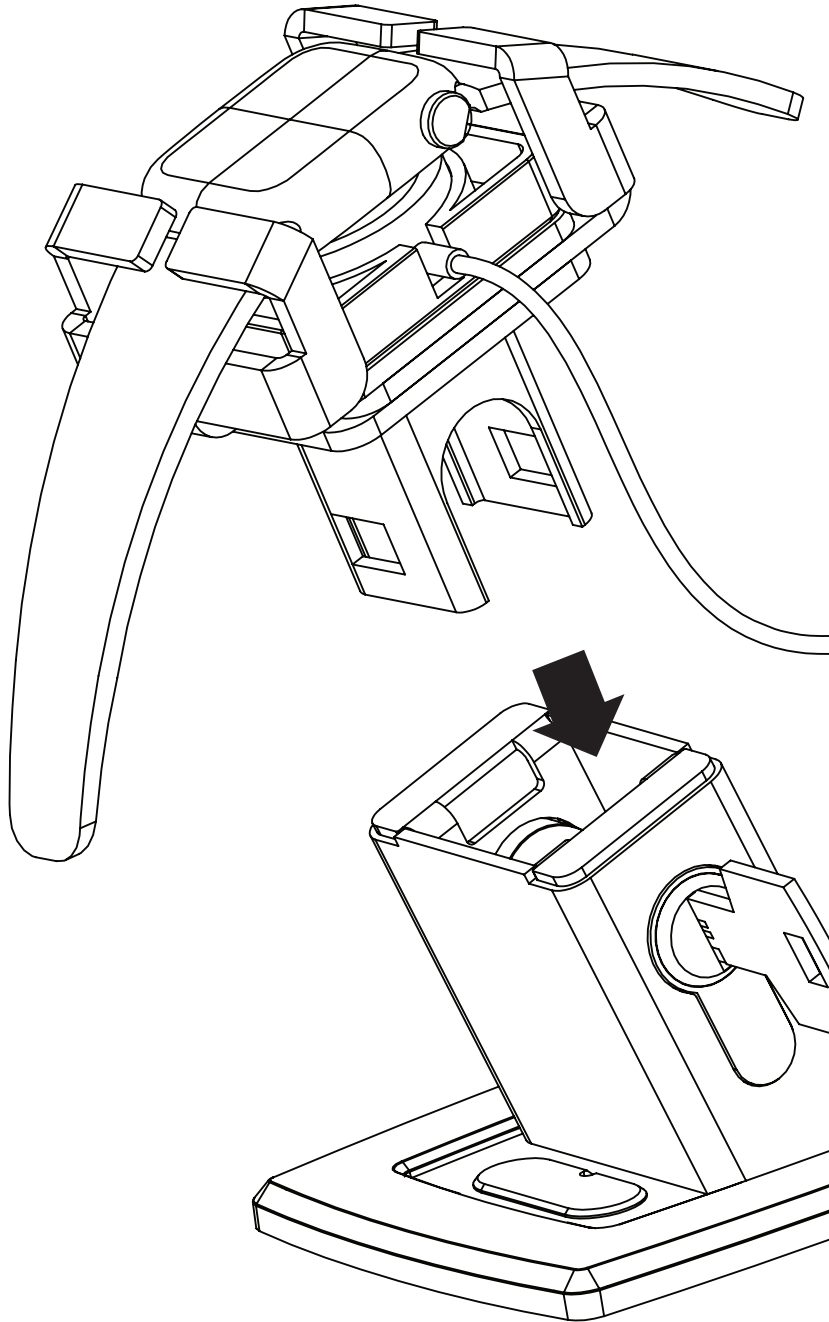
Finally fasten the special torx screws
M5 x 10 firmly using a special tool
for security screws.



**GRiPZO can supply special torx bits
to fasten the screws.**

Ready for use instore

Place the V3 Watch holder into the Gripzo V3 base and secure it by locking it with the key.



V3 BASE

300 000 003 100