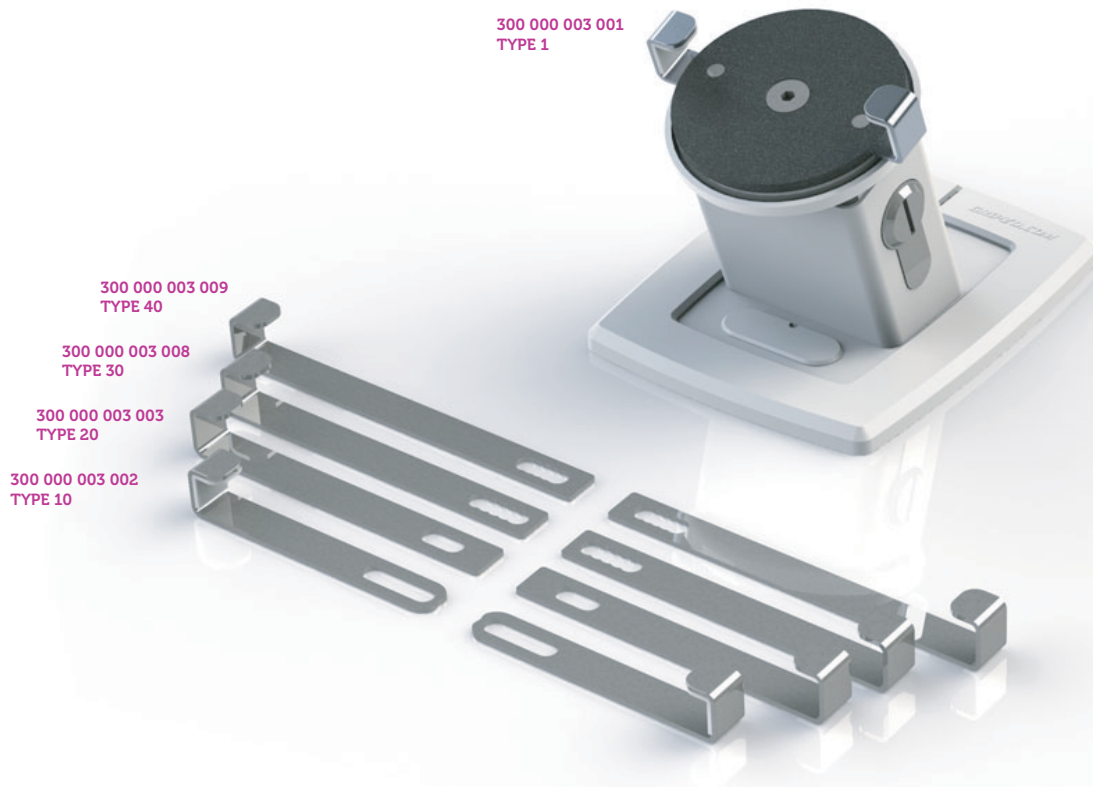


Gripzo V3 Lite

Mechanical anti-theft device for phones, tablets & smartwatches
Designed with minimalistic use of grips
360 rotation
Device is attached with self-adhesive and claws to the rotation plate
Quick release option for phone + grips, key operated
Suitable for table- or wall mount
Fix angle presentation
Cable lead option through base plate
Adjustable side claws
Including lock assembly + 1 security key
Weight 0,6KG
Standard color white + metal side claws

Min/Max phone thickness: 7 mm – 9 mm
Min/Max phone width: 61 mm – 84 mm
Min/Max phone length: NA with 2 claw set
with 4 claws check dim. sheet

V3 Lite standard supplied with 1 adhesive + 1 lock/key
Please order with desired clawset



Address:

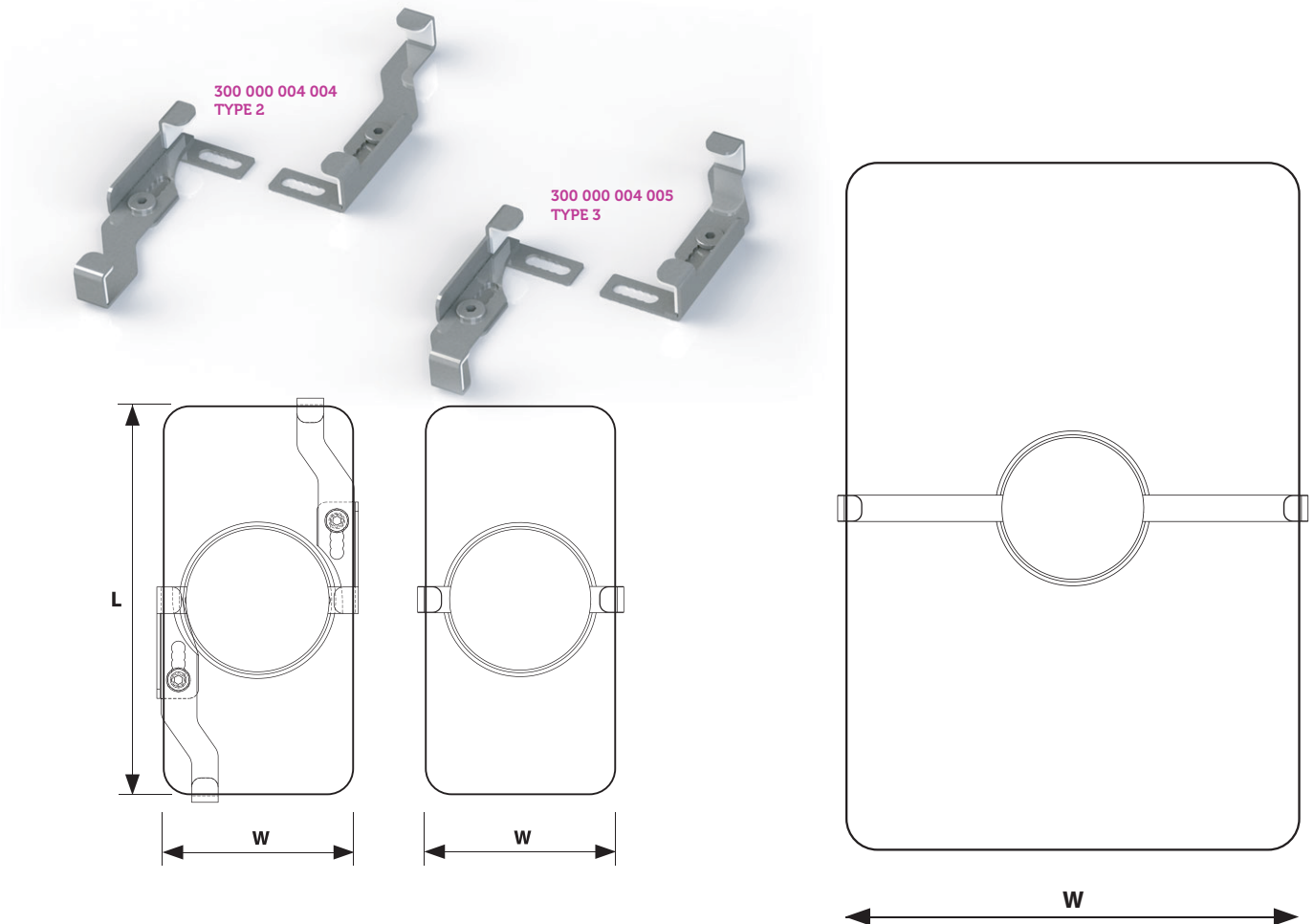
James Cookstraat 12 K
7825 AN Emmen
The Netherlands

V3 LITE Holder only, excluding claw set
300 200 003 000 Standard supplied with 1 adhesive + 1 lock/key

CLAWSET V3 PHONE (2 CLAW)
300 000 003 001 TYPE 1 For 3,5" to 6,7" phones (width sizes 61 to 84 mm)

CLAWSET V3 PHONE (4 CLAW)
300 000 004 004 TYPE 2 For 4,7" to 6,7" phones (W) 61 to 84 mm, (L) 146 to 172 mm

300 000 004 005 TYPE 3 For 3,5" to 6,5" phones (W) 61 to 84 mm, (L) 122 to 146 mm



CLAWSET V3 TABLET
300 000 003 002 TYPE 10 For 7" - up to 10,1" tablets (width sizes 134 to 162 mm)
300 000 003 003 TYPE 20 For 10,2" - up to 11" tablets (width sizes 165 to 176 mm)
300 000 003 008 TYPE 30 For 11" - up to 12,4" tablets (width sizes 178 to 200 mm)
300 000 003 009 TYPE 40 For 12,4" - up to 14,6" tablets (width sizes 202 to 220 mm)

CLAWSET V3 WATCH

300 000 005 001	TYPE 101	V3 top part for square watches (e.g. Apple watch)
300 000 005 002	TYPE 102	V3 top part for round watches (e.g. Galaxy watch)
300 000 005 003	TYPE 111	Charger holder (Only for original Apple chargers)
300 000 005 004	TYPE 112	Charger holder (Only for original Samsung Galaxy chargers)

